
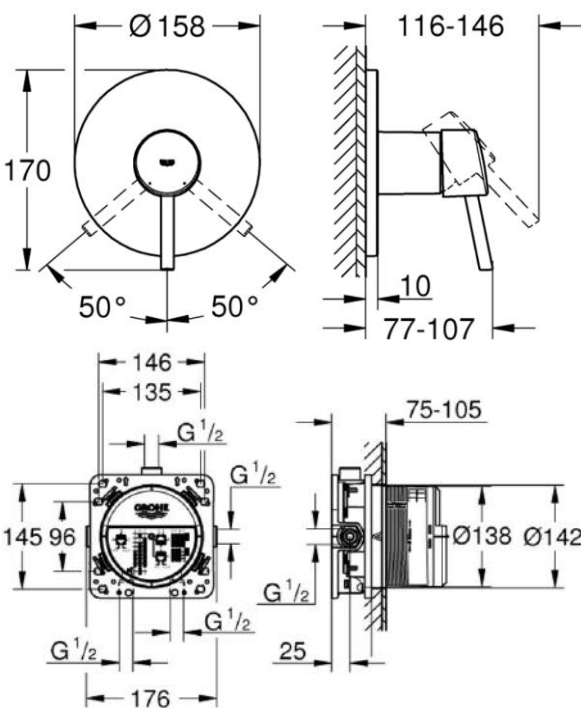





PROJECT		REF		REV	ITEM CODE	
LOCATION		DATE			PAGE	

## SANITARY WARE SPECIFICATION SHEET

<p>Item Descriptions</p> <p>Dimensions</p> <p>Model</p> <p>Finish</p> <p>Country of origin</p> <p>Manufacturer</p> <p>Supplier</p> <p>Contact Tel/Fax</p> <p>E-mail</p> <p>Website</p>	<p>GROHE (Germany) "Concetto" Wall mounted chrome single-lever shower mixer trim</p> <p>L158 x W107 x H170 mm</p> <p>24053001 (Shower mixer) 35600000 (Mounting box)</p> <p>Chrome Plated</p> <p>Thailand GROHE AG</p> <p>Acme Sanitary Ware Co. Ltd Mr. Eric Wong/ Mr. Don Yuen (852) 2388-7171 / (852) 2710-8012 acme@acmesanitary.com.hk www.acmesanitary.com.hk</p>	<p>Illustration/ Drawing</p>  
<p><b>"Concetto"</b> <b>Single-lever shower mixer trim</b></p> <ul style="list-style-type: none"> <li>· set for final installation for</li> <li>· GROHE Rapido SmartBox 35 600</li> <li>· <b>GROHE SilkMove</b> 46 mm ceramic cartridge</li> <li>· <b>GROHE StarLight</b> chrome finish</li> <li>· wall escutcheon with <b>GROHE QuickFix</b> (covered escutcheon- and shaft sealing, covered fixing)</li> <li>· metal escutcheon, retroactively 6° adjustable</li> <li>· metal lever</li> <li>· flow performance: outlet B or C = 30 l/min</li> <li>· <b>without roughing-in-set</b></li> </ul> 	<p><b>GROHE Rapido SmartBox</b></p> <ul style="list-style-type: none"> <li>· Universal rough-in box, 1/2"</li> <li>· 3 outlets 1/2"</li> <li>· 2 inlets below, 1/2"</li> <li>· installation depth 75-105 mm</li> <li>· connection unit in DR brass</li> <li>· pre-mounted flushing plug</li> <li>· stable build-in box and protective cover</li> <li>· fixing options for solid walls and dry cladding</li> <li>· gasket</li> <li>· without set for final installation</li> </ul> 	

Note YouTube <sup>HK</sup> ([Rapido SmartBox | Installation Video](https://www.youtube.com/watch?v=KsWdVrq9fVI)) <https://www.youtube.com/watch?v=KsWdVrq9fVI>

\* All information of the above is for the reference only. No prior notice is made if any changes.



# Acme Sanitary Ware Co Ltd

Acme Building, 22-28 Nanking Street, Kowloon, Hong Kong  
Tel: 2388 7171 Fax: 2710 8012  
E-mail: acme@acmesanitary.com.hk  
Website: www.acmesanitaryware.com.hk



Pure Freude  
an Wasser

PROJECT		REF		REV	ITEM CODE	
LOCATION		DATE			PAGE	

## SANITARY WARE SPECIFICATION SHEET

### GROHE CONCETTO

#### A CYLINDRICAL STATEMENT

Inviting design. The formal beauty of the cylinder and the softness of circular elements are perfectly expressed in the Concetto range. Take pleasure in the harmony and perfect ergonomics of precisely drawn lines, angles and curves. Concetto is a unique expression of pure style. A brilliant feature is the strikingly angled operating lever, subtly inviting you to reach out and touch. The space between pure aesthetics and optimum functionality is bridged brilliantly by the finish of the GROHE StarLight surfaces.

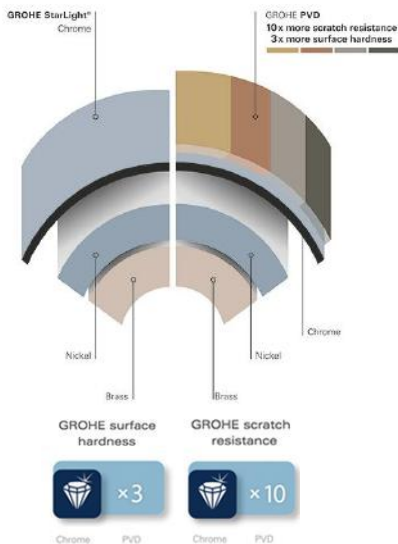


#### THE NEW GROHE RAPIDO SMARTBOX

A UNIVERSAL SYSTEM FOR  
INFINITE POSSIBILITIES

#### MORE THAN 200 POSSIBLE COMBINATIONS WITH GROHE RAPIDO SMARTBOX

As concealed mixing valves for showers and bathtubs are becoming increasingly successful, concealed units are in great demand. With its minimum installation depth of only 75mm, GROHE's Rapido Smartbox can be easily installed for all showers/bathtubs. The Rapido Smartbox concealed body allows you to control up to three water outlets and is compatible with all GROHE concealed models.



#### GROHE SilkMove cartridge technology for smooth handling

This premium tap comes with a continuously variable water temperature and volume adjustment technology, ensuring effortless lever operation even after years of use.



#### Easy to clean thanks to the GROHE StarLight chrome coating

Just wipe the tap down with a dry cloth – the ultra smooth surface finish is scratch resistant and ensures a lasting luminous sheen. You'll save plenty of time cleaning while your tap always looks shiny and new.



#### GROHE QuickFix Plus quick and easy installation in a few simple steps

Save time on the installation of your tap with GROHE QuickFix Plus. Consisting of fewer parts, our new system makes the installation process quicker and easier than ever.

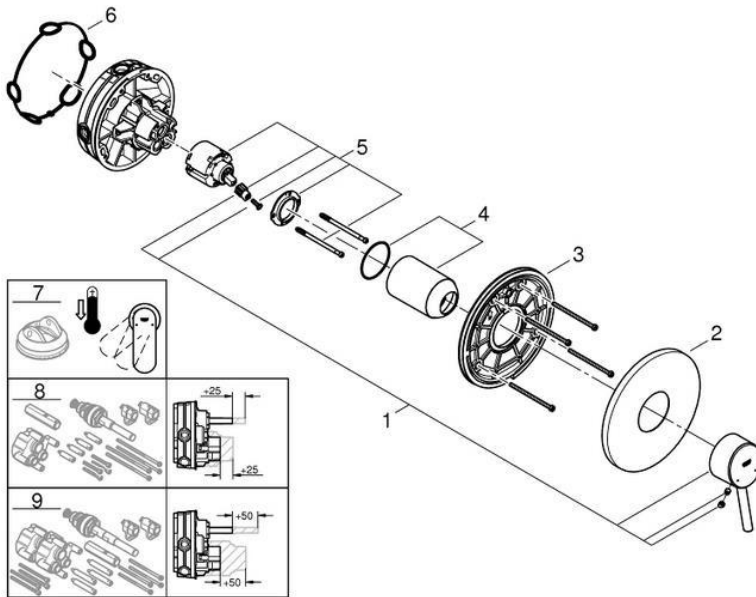
Note:

\* All information of the above is for the reference only. No prior notice is made if any changes.



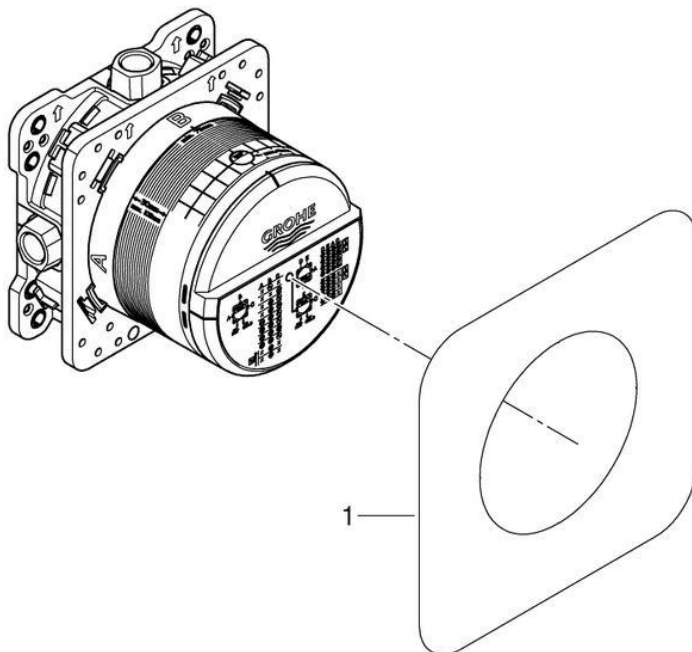
PROJECT		REF		REV	ITEM CODE	
LOCATION		DATE			PAGE	

## SANITARY WARE SPECIFICATION SHEET



Pos.-nr.	Prod. description	Order-nr.
1	Lever	46723000
2	Escutcheon	48428000
3	Mounting plate	48439000
4	Cap	06874000
5	Cartridge	46048000
6	Seal	48360000
7	Temperature limiter	46375000*
8	Universal extension set single-lever mixers, 25 mm	14056000*
9	Universal extension set single-lever mixers, 50 mm	14057000*

\* Optional accessories



Pos.-nr.	Prod. description	Order-nr.
1	Seal kit	48263000*

\* Optional accessories

Note:

\* All information of the above is for the reference only. No prior notice is made if any changes.